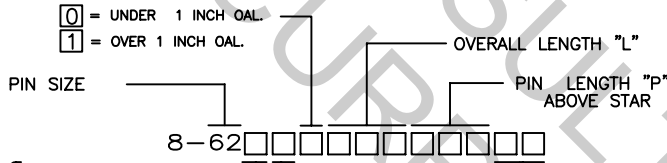


REVISION RECORD		ECN	BY	APVD	DATE
A	INITIAL RELEASE	14183	MAC	JB	6-5-98
B	PER ECN 14471	14471	MAC	JB	8-7-98

NOTE: UNLESS OTHERWISE SPECIFIED

1. INTERPRET DRAWING IN ACCORDANCE WITH ANSI Y14.5-1982.
2. REMOVED
3. PITCH CONSISTENCY TO BE WITHIN ± 0.005 OVER 3.000 INCHES.
- \triangle PART TO BE SUPPLIED ON A CONTINUOUS REEL.
5. ALL DIMENSIONS APPLY AFTER PLATING.

PART NUMBER BREAKDOWN

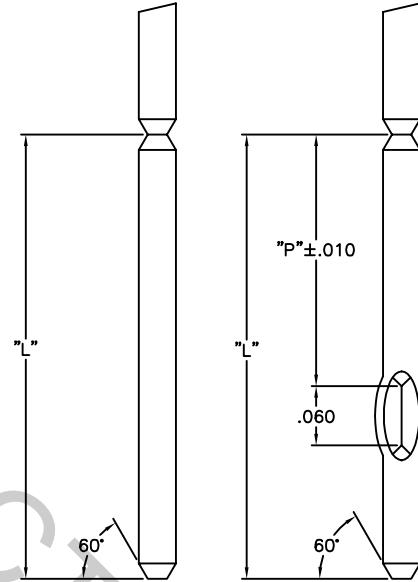


- 0 = UNDER 1 INCH OAL.
- 1 = OVER 1 INCH OAL.

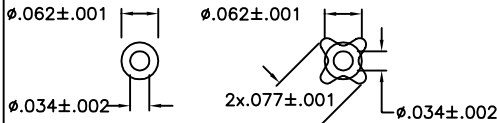
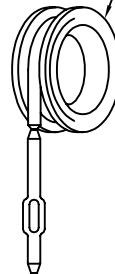
- PIN TYPE (SEE STAR DETAIL)
- 4 = ROUND PIN
 - 5 = ROUND PIN WITH STANDARD STAR

- FINISH VARIATIONS
- AA = TIN/LEAD .000120 MIN OVER NICKEL
 - BB = GOLD PLATE .000005 OVER NICKEL
 - CC = GOLD PLATE .000010 OVER NICKEL
 - WW = GOLD PLATE .000015 OVER NICKEL
 - DD = GOLD PLATE .000020 OVER NICKEL
 - EE = GOLD PLATE .000030 OVER NICKEL

- MATERIAL
- 2 = BRASS ALLOY
 - 5 = PHOSPHOR BRONZE ALLOY
 - 7 = COPPER/NICKEL/TIN ALLOY



\triangle REELING ORIENTATION
AP/2 REEL
(24" O.D. x 20" I.D.)



- 4 ROUND NO STAR
- 5 ROUND STD. STAR

STAR DETAIL

PIN WITH NO STAR

PIN WITH STAR

CUSTOMER DRAWING

ALL DIMENSIONS ARE IN INCHES		autossplice ®		AUTOSPlice INC.	
DECIMAL: XX = ±.01 XXX = ±.005		10121 Barnes Canyon Road San Diego, California 92121 (619) 536-0077		DRAWN BY: MAC M DATE: 6-05-98 APPROVED BY: BIANCA DATE: 6-05-98	
ANGULAR: ±5°		TITLE: AUTOPIN/2 DETAIL PART DRAWING		SHEET 1 OF 1	
THIS DRAWING AND THE INFORMATION SET FORTH HEREON ARE THE PROPERTY OF AUTOSPlice, INC. AND ARE TO BE HELD IN TRUST AND CONFIDENCE. PUBLICATION, DUPLICATION, DISSEMINATION, OR USE FOR ANY PURPOSE NOT EXPRESSLY AUTHORIZED IN WRITING BY AUTOSPlice, INC. IS PROHIBITED.		SIZE: C OAE89		PART NUMBER: C8-62[4thru5]	
SOLD NONE		CAD FILE NO. C08-624-BOX AND REV.		SHEET 1 OF 1	